



Specification

ST Duplex Adapter

Description

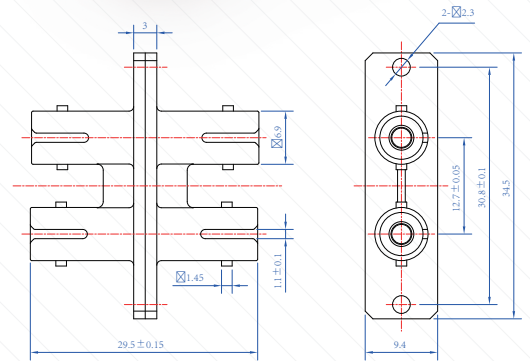
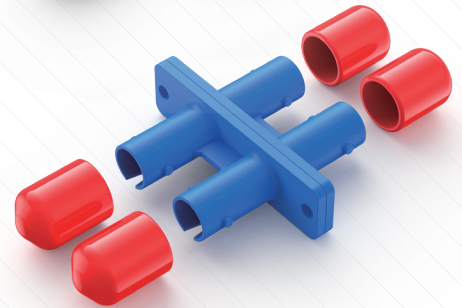
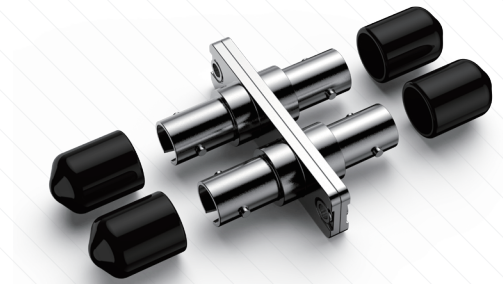
Fiber optic adapter is to achieve the same or different optical fiber connectors docking in optical links, make the light path connected under the small loss. It is to put the fiber of two surface precision docking, so that the optical output of light energy to the maximum coupling in the receiving optical fiber, and since it entered the optical link to minimize the effects on the system. Widely used in optical fiber distribution frame (ODF), fiber optic communications equipment, instruments, etc., superior performance, stable and reliable.

Features

- Low insertion loss and back reflection loss
- High precision alignment
- Compact design
- Plastic housing
- Telcordia, ANSI, TIA/EIA, NTT and JIS compliance

Application

- CATV
- Telecommunication networks
- Local Area Networks (LANs)
- Data processing networks
- Test equipment
- Premise installations
- Gigabit Ethernet
- Video



Specification

Item	Specification
Insertion Loss	<0.20dB
Durability	<0.20dB typical change, 1000 matings
Operating Temperature	-40 ~ 85°C

Availability

Dust Cap Colors

Red/Green/Black/Yellow